

WEIR CONCEPTS INC.

PRODUCT GUIDE

- WC SPEED CONTROLS - Flow Control Valve -



EXPECT QUALITY AND RELIABILITY

using our brand name **SPEED CONTROLS - Flow Control Valve**



7596 Wagner RD NW

Edmonton , Alberta

CANADA T6E 5B2

780.462.1910 ph

780.462.1959 fax

info@weirconcepts.com

www.weirconcepts.com

MADE IN ALBERTA, CANADA PRODUCTS

Manufactured and assembled at our Edmonton based facility

DETAILS ARE THE DIFFERENCE BETWEEN ORDINARY AND EXCELLENCE

Speed Control - Flow Control Valve

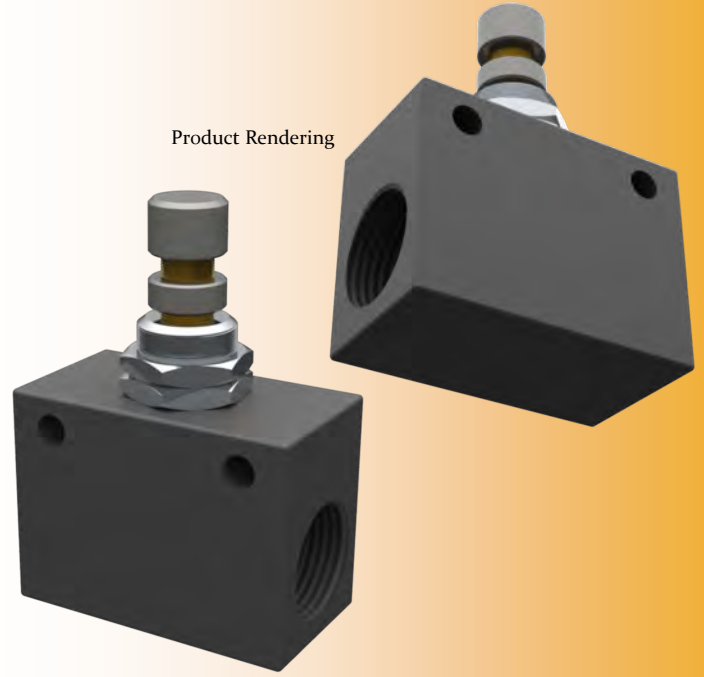
Housing constructed from aluminum alloy with a clean, light-weight surface.

Available in bi-directional OR single directional.

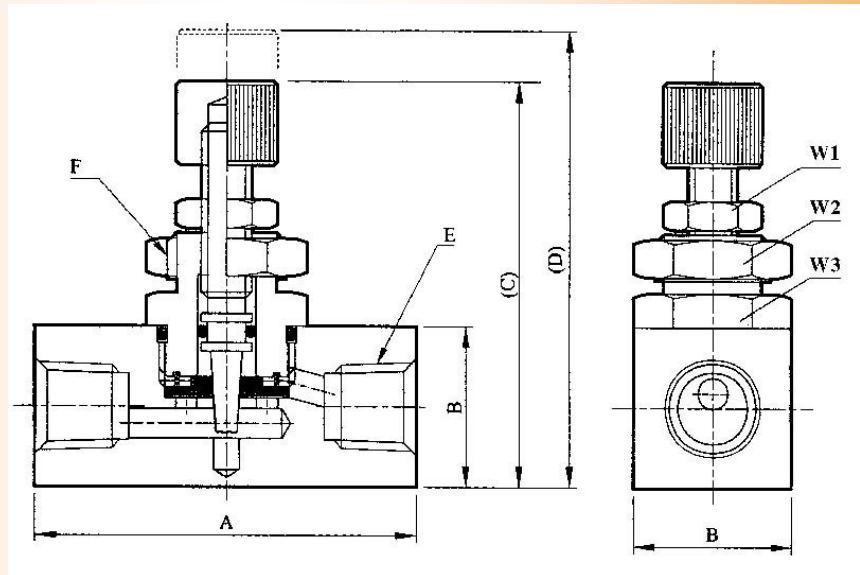
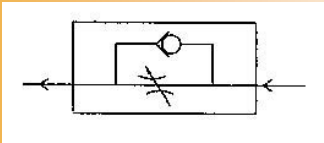
Application

Flow control valve used to control speed of opening and closing on pneumatic actuators.

Product Rendering



Symbol

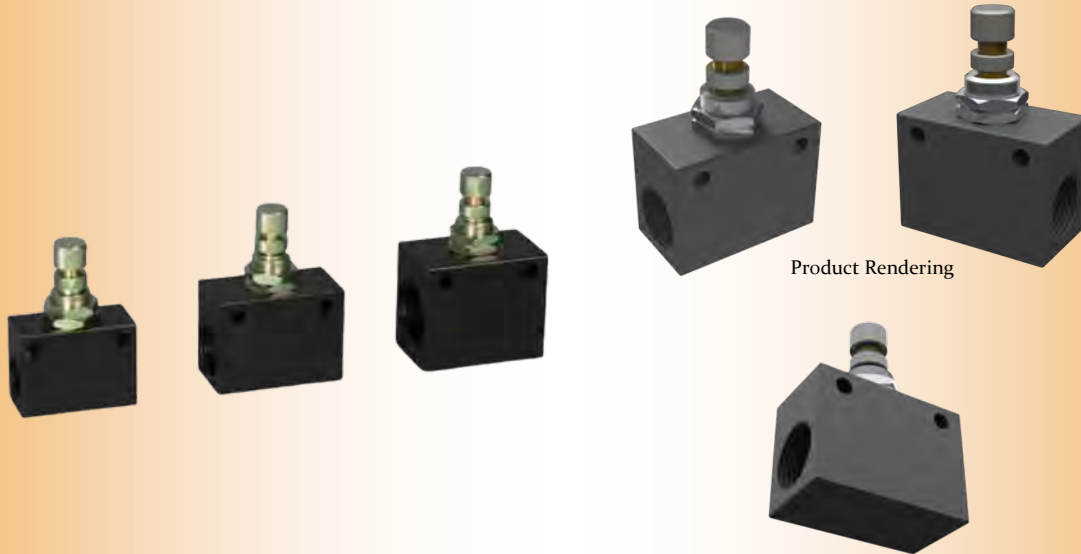


RE FLOW RATE CONTROL DIMENSIONS (INCHES)

(Type)		A	B	C	D	E	F	W1	W2	W3
RE-01	6A	1.77	0.75	1.81	2.09	1/8	M14x1	0.43	0.67	0.67
RE-02	8A	1.77	0.75	1.81	2.09	1/4	M14x1	0.43	0.67	0.67
RE-03	10A	2.17	0.98	2.05	2.32	3/8	M18x1	0.43	0.67	0.91
RE-04	15A	2.17	0.98	2.05	2.32	1/2	M18x1	0.43	0.67	0.91

PRODUCT GUIDE

WEIR CONCEPTS WC SPEED CONTROLS - Flow Control Valve



SOLUTIONS FOR YOUR COMPANY NEEDS

- HELP DESK -

FOR YOUR SUPPORT AND SERVICE

24 hours a day, 7 days a week

NO CHARGE ON CALLS SERVICE

We offer technical assistance, product knowledge, and reliable trouble shooting

Brochures/Maintenance info available online www.weirconcepts.com

HELP DESK EXPERTISE PROVIDED AT WEIR CONCEPTS

7596 Wagner RD NW
Edmonton , Alberta
CANADA T6E 5B2

780.462.1910 ph

780.462.1959 fax

info@weirconcepts.com

www.weirconcepts.com

Version 3.0

