

WEIR CONCEPTS INC.

PRODUCT GUIDE

- WC FITTINGS -



EXPECT QUALITY AND RELIABILITY

using our brand name WC FITTINGS



7596 Wagner RD NW

Edmonton , Alberta

CANADA T6E 5B2

780.462.1910 ph

780.462.1959 fax

info@weirconcepts.com

www.weirconcepts.com

MADE IN ALBERTA, CANADA PRODUCTS

Manufactured and assembled at our Edmonton based facility

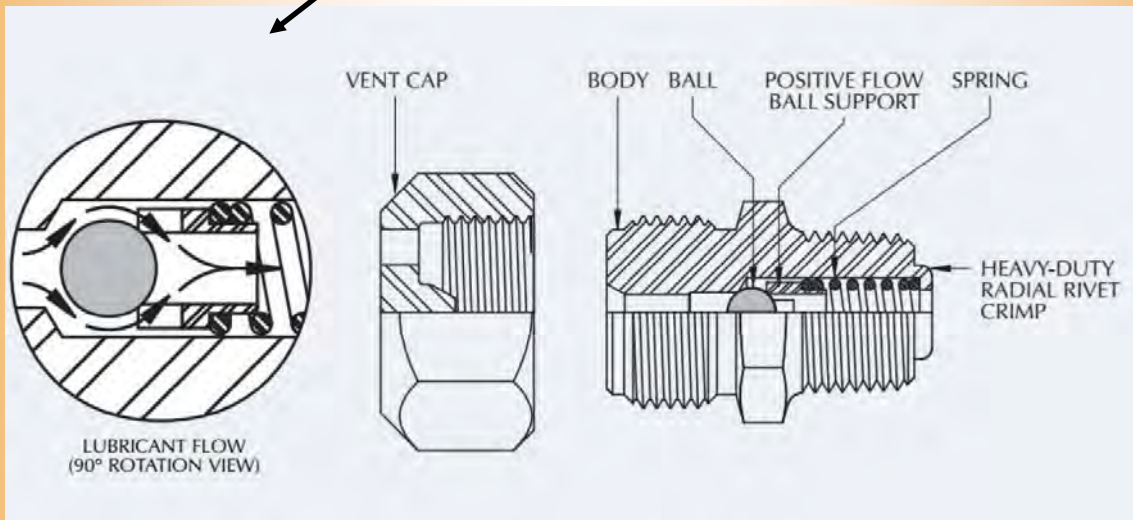
DETAILS ARE THE DIFFERENCE BETWEEN ORDINARY AND EXCELLENCE

VENTED CAP BODY GREASE FITTINGS

Our standard body grease fitting feature Positive Flow Ball Support. This design directs the flow of the lubricant and/or sealant through the center of the spring without passing through the spring coil. This reduces the tendency to “pack-off”. The Positive Flow Ball Support is available in many other fitting styles.

Another feature of the standard body grease fitting is the heavy-duty radial rivet crimp. This special crimp provides the best “blow-out” protection of any available crimped style fitting. The radial rivet crimp process conforms to the latest revision of NACE.

LUBRICANT PASSES AROUND THE BALL AND THROUGH THE CENTRE OF THE BALL SUPPORT AND SPRING, WITHOUT PASSING THROUGH THE SPRING COIL.



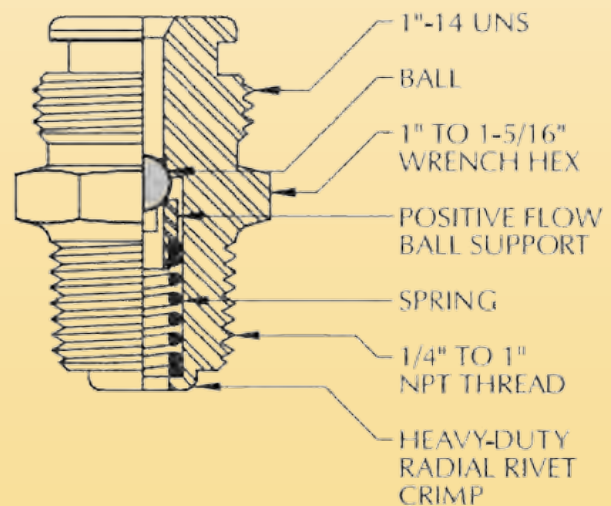
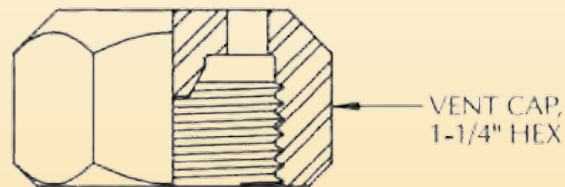
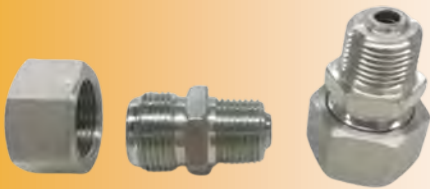
Weir Concepts at work for you

VENTED CAP BODY GREASE FITTINGS

THREAD SIZE	MATERIAL	PLATING	HEAT TREATMENT	BALL	SPRING
1" NPT	1215	Zinc	---	**CA	302 SS
	316 SS	---	Annealed (NACE)	K-Monel®	Inconel X-750
	4140	Zinc	Rc 22 Max (NACE)		
3/4" NPT	1215	Zinc	---	**CA	302 SS
	316 SS	---	Annealed (NACE)	K-Monel®	Inconel X-750
	4140	Zinc	Rc 22 Max (NACE)		
1/2" NPT	1215	Zinc	---	**CA	302 SS
	316 SS	---	Annealed (NACE)	K-Monel®	Inconel X-750
	4140	Zinc	Rc 22 Max (NACE)		
3/8" NPT	1215	Zinc	---	**CA	302 SS
	316 SS	---	Annealed (NACE)	K-Monel®	Inconel X-750
	4140	Zinc	Rc 22 Max (NACE)		
1/4" NPT	1215	Zinc	---	**CA	302 SS
	316 SS	---	Annealed (NACE)	K-Monel®	Inconel X-750
	4140	Zinc	Rc 22 Max (NACE)		

FOR SERVICE TO 10,000PSI

Weir Concepts offers a technical consulting and provides a total end to end solution.



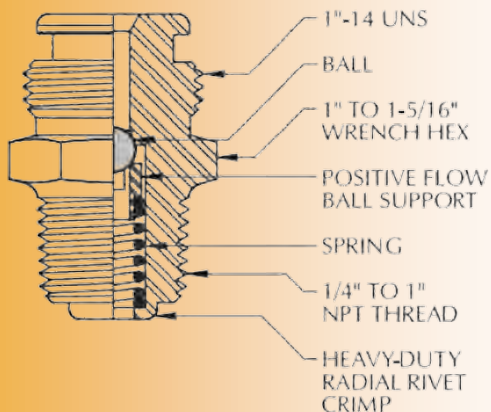
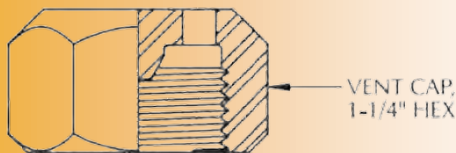
Solutions for your company needs

VENTED CAP BODY GREASE FITTINGS with Giant Button Head

THREAD SIZE	MATERIAL	PLATING	HEAT TREATMENT	BALL	SPRING
1" NPT	1215	Zinc	---	**CA	302 SS
	316 SS	---	Annealed (NACE)	K-Monel®	Inconel X-750
	4140	Zinc	Rc 22 Max (NACE)		
3/4" NPT	1215	Zinc	---	**CA	302 SS
	316 SS	---	Annealed (NACE)	K-Monel®	Inconel X-750
	4140	Zinc	Rc 22 Max (NACE)		
1/2" NPT	1215	Zinc	---	**CA	302 SS
	316 SS	---	Annealed (NACE)	K-Monel®	Inconel X-750
	4140	Zinc	Rc 22 Max (NACE)		
3/8" NPT	1215	Zinc	---	**CA	302 SS
	316 SS	---	Annealed (NACE)	K-Monel®	Inconel X-750
	4140	Zinc	Rc 22 Max (NACE)		
1/4" NPT	1215	Zinc	---	**CA	302 SS
	316 SS	---	Annealed (NACE)	K-Monel®	Inconel X-750
	4140	Zinc	Rc 22 Max (NACE)		

FOR SERVICE TO 10,000PSI

**Solutions for your
company needs**

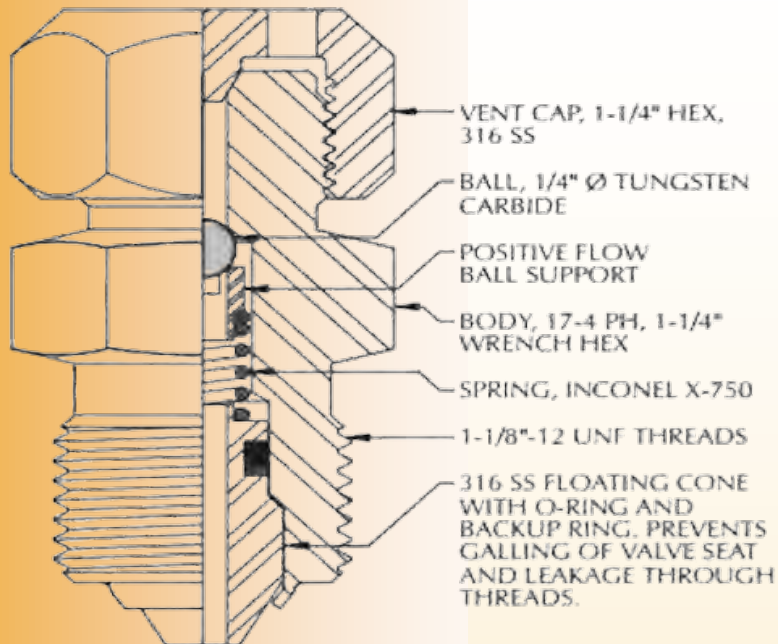


WEIR CONCEPTS IS PROUD TO PROVIDE

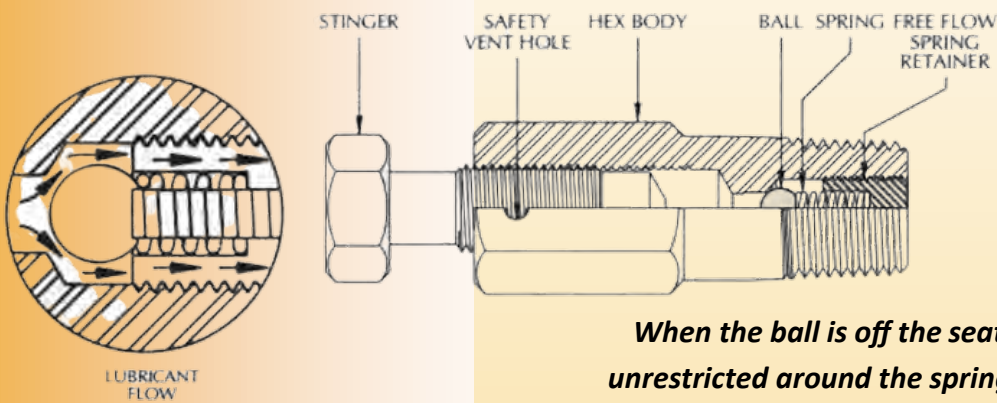
MADE IN CANADA PRODUCTS

**MANUFACTURED AT OUR EDMONTON
BASED FACILITY**

HIGH PRESSURE LUBRIATION AND SEALANT FITTINGS



**FOR SERVICE TO
20,000PSI**



When the ball is off the seat lubricant flows unrestricted around the spring and through the openings on the sides of the retainer.

The free flow design of the Body Grease Fitting is incorporated into our Packing Injection Fittings. Compared to standard floating ball designs, the Free Flow's specially designed spring retainer allows even the heaviest of lubricants and/or sealant to flow freely through the Packing Injection Fitting.

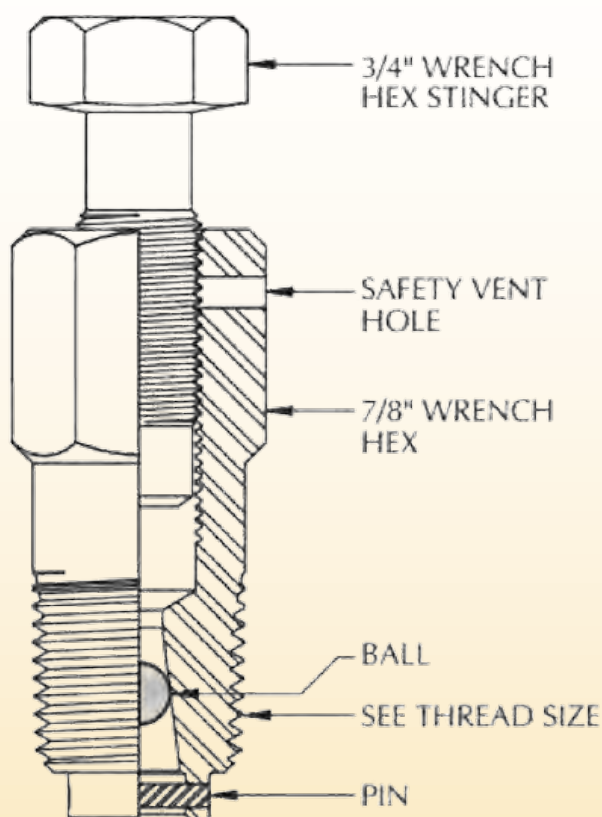
- Positive back seating is provided without relying on the presence of back pressure.
- Guaranteed against "blow out" when used within design limitations of the fitting. Excellent in extreme cold environments.
- Meets latest revision of NACE - no cold working materials.

**Solutions for your
company needs**

Weir Concepts offers technical consulting and provides a total end to end solution.

PACKING INJECTION FITTINGS Floating Ball-Taper Cavity

Solutions for your
company needs

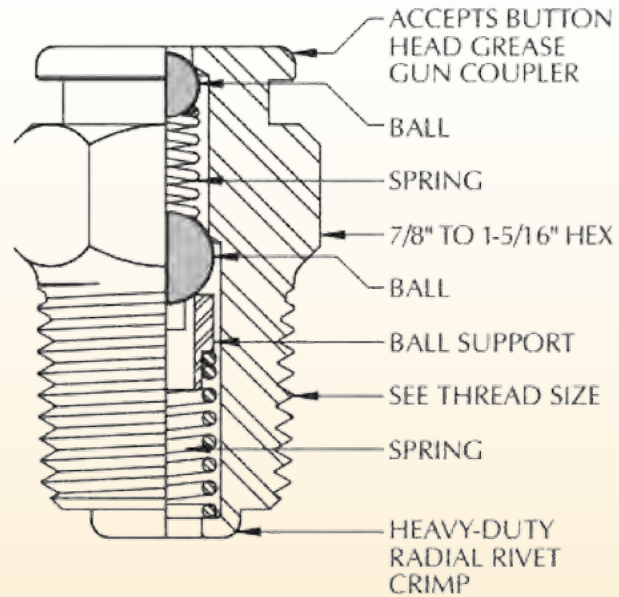


THREAD SIZE	MATERIAL	PLATING	HEAT TREATMENT	BALL
1/2" NPT	1215	Zinc	---	**CA
	316 SS	---	Annealed (NACE)	K-Monel®
	4140	Zinc	Rc 22 Max (NACE)	
3/8" NPT	1215	Zinc	---	**CA
	316 SS	---	Annealed (NACE)	K-Monel®
	4140	Zinc	Rc 22 Max (NACE)	
1/4" NPT	1215	Zinc	---	**CA
	316 SS	---	Annealed (NACE)	K-Monel®
	4140	Zinc	Rc 22 Max (NACE)	
3/4" - 10 UNC	1215	Zinc	---	302 SS
5/8" - 11 UNC	1215	Zinc	---	302 SS

FOR SERVICE TO 10,000PSI

GIANT BUTTON HEAD FITTINGS Double Ball Check

Weir Concepts offers a technical consulting and provides a total end to end solution.



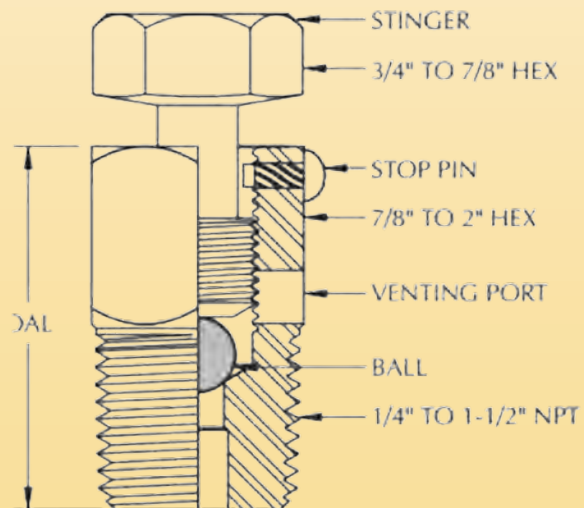
THREAD SIZE	MATERIAL	PLATING	HEAT TREATMENT	BALL	SPRING
1" NPT	1215	Zinc	---	**CA	302 SS
	316 SS	---	Annealed (NACE)	K-Monel®	Inconel
	4140	Zinc	Rc 22 Max (NACE)		X-750
3/4" NPT	1215	Zinc	---	CA	302 SS
	316 SS	---	Annealed (NACE)	K-Monel®	Inconel
	4140	Zinc	Rc 22 Max (NACE)		X-750
1/2" NPT	1215	Zinc	---	CA	302 SS
	316 SS	---	Annealed (NACE)	K-Monel®	Inconel
	4140	Zinc	Rc 22 Max (NACE)		X-750
3/8" NPT	1215	Zinc	---	CA	302 SS
	316 SS	---	Annealed (NACE)	K-Monel®	Inconel
	4140	Zinc	Rc 22 Max (NACE)		X-750
1/4" NPT	1215	Zinc	---	CA	302 SS
	316 SS	---	Annealed (NACE)	K-Monel®	Inconel
	4140	Zinc	Rc 22 Max (NACE)		X-750
3/4" - 10 UNC	1215	Zinc	---	CA	302 SS
5/8" - 11 UNC	1215	Zinc	---	CA	302 SS

FOR SERVICE TO 10,000PSI

BODY VENT (BLEEDER) FITTINGS Standard Hex Head Style

THREAD SIZE	MATERIAL	HEX SIZE	OAL	PLATING	HEAT TREATMENT	BALL
1-1/2" NPT	1215	2"	2-5/8"	Zinc	---	440 SS
	316 SS	2"	2-5/8"	---	Annealed (NACE)	**TC
	4140			Zinc	Rc 22 Max (NACE)	
1-1/4" NPT	1215	1-3/4"	2-5/16"	Zinc	---	440 SS
	316 SS	1-3/4"	2-5/16"	---	Annealed (NACE)	TC
	4140			Zinc	Rc 22 Max (NACE)	
1" NPT	1215	1-5/16"	2-3/16"	Zinc	---	440 SS
	316 SS	1-5/16"	2-3/16"	---	Annealed (NACE)	TC
	4140			Zinc	Rc 22 Max (NACE)	
3/4" NPT	1215	1-1/8"	1-5/8"	Zinc	---	440 SS
	316 SS	1-1/8"	1-5/8"	---	Annealed (NACE)	TC
	4140			Zinc	Rc 22 Max (NACE)	
1/2" NPT	1215	7/8"	1-1/2"	Zinc	---	440 SS
	316 SS	7/8"	1-1/2"	---	Annealed (NACE)	TC
	4140			Zinc	Rc 22 Max (NACE)	
3/8" NPT	1215	7/8"	1-9/16"	Zinc	---	440 SS
	316 SS	7/8"	1-9/16"	---	Annealed (NACE)	TC
	4140			Zinc	Rc 22 Max (NACE)	
1/4" NPT	1215	7/8"	1-5/8"	Zinc	---	440 SS
	316 SS	7/8"	1-5/8"	---	Annealed (NACE)	TC
	4140			Zinc	Rc 22 Max (NACE)	

**Solutions for your
company needs**

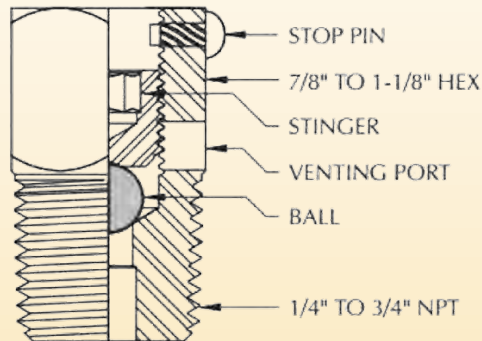


FOR SERVICE TO 10,000PSI

HEX SOCKET HEAD STYLE

THREAD SIZE	MATERIAL	HEX SIZE	OAL	PLATING	HEAT TREATMENT	BALL
3/4" NPT	1215	1-1/8"	1-5/8"	Zinc	- - -	440 SS
	316 SS	1-1/8"	1-5/8"	- - -	Annealed (NACE)	**TC
	4140			Zinc	Rc 22 Max (NACE)	
1/2" NPT	1215	7/8"	1-1/2"	Zinc	- - -	440 SS
	316 SS	7/8"	1-1/2"	- - -	Annealed (NACE)	TC
	4140			Zinc	Rc 22 Max (NACE)	
3/8" NPT	1215	7/8"	1-9/16"	Zinc	- - -	440 SS
	316 SS	7/8"	1-9/16"	- - -	Annealed (NACE)	TC
	4140			Zinc	Rc 22 Max (NACE)	
1/4" NPT	1215	7/8"	1-5/8"	Zinc	- - -	440 SS
	316 SS	7/8"	1-5/8"	- - -	Annealed (NACE)	TC
	4140			Zinc	Rc 22 Max (NACE)	

FOR SERVICE TO 10,000PSI

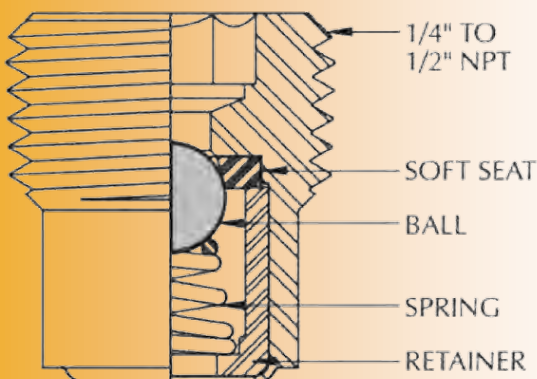


THREAD SIZE	MATERIAL	PLATING	HEAT TREATMENT	BALL	SPRING	OAL
1/2" NPT	316 SS	- - -	Annealed (NACE)	K-Monel®	Inconel X-750	15/16"
	4140	Zinc	Rc 22 Max (NACE)	K-Monel®	Inconel X-750	15/16"
3/8" NPT	316 SS	- - -	Annealed (NACE)	K-Monel®	Inconel X-750	7/8"
	4140	Zinc	Rc 22 Max (NACE)	K-Monel®	Inconel X-750	7/8"
1/4" NPT	316 SS	- - -	Annealed (NACE)	K-Monel®	Inconel X-750	3/4"
	4140	Zinc	Rc 22 Max (NACE)	K-Monel®	Inconel X-750	3/4"
1/4" NPT	316 SS	- - -	Annealed (NACE)	K-Monel®	Inconel X-750	21/32"
	4140	Zinc	Rc 22 Max (NACE)	K-Monel®	Inconel X-750	21/32"

FOR SERVICE TO 10,000PSI

INTERNAL CHECK FITTINGS

Single Ball Check,
Soft Seat, Spring Biased



PRODUCT GUIDE

WEIR CONCEPTS WC FITTINGS



SOLUTIONS FOR YOUR COMPANY NEEDS

- HELP DESK -

FOR YOUR SUPPORT AND SERVICE

24 hours a day, 7 days a week

NO CHARGE ON CALLS SERVICE

We offer technical assistance, product knowledge, and reliable trouble shooting

Brochures/Maintenance info available online www.weirconcepts.com

HELP DESK EXPERTISE PROVIDED AT WEIR CONCEPTS

7596 Wagner RD NW

Edmonton , Alberta

CANADA T6E 5B2

780.462.1910 ph

780.462.1959 fax

info@weirconcepts.com

www.weirconcepts.com

Version 3.0

