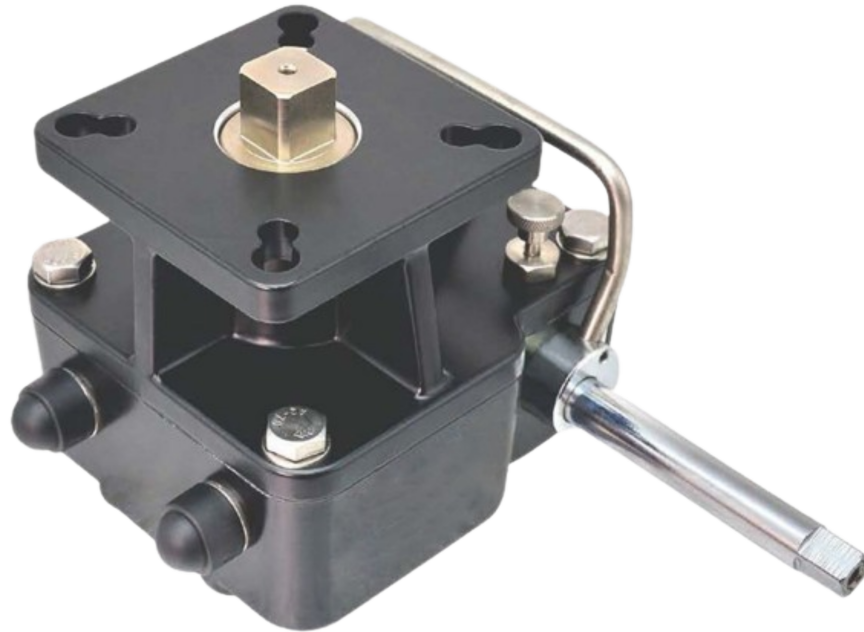


WEIR CONCEPTS INC.

PRODUCT GUIDE

- WC DECLUTACHABLE WORMGEAR -



EXPECT QUALITY AND RELIABILITY

using our WC Declutchable Wormgear Manual Override

7596 Wagner RD NW

Edmonton , Alberta

CANADA T6E 5B2

780.462.1910 ph

780.462.1959 fax

info@weirconcepts.com

www.weirconcepts.com



MADE IN ALBERTA, CANADA PRODUCTS

Manufactured and assembled at our Edmonton based facility

DETAILS ARE THE DIFFERENCE BETWEEN ORDINARY AND EXCELLENCE

WORMGEAR FEATURES

MAIN USE OF PRODUCT

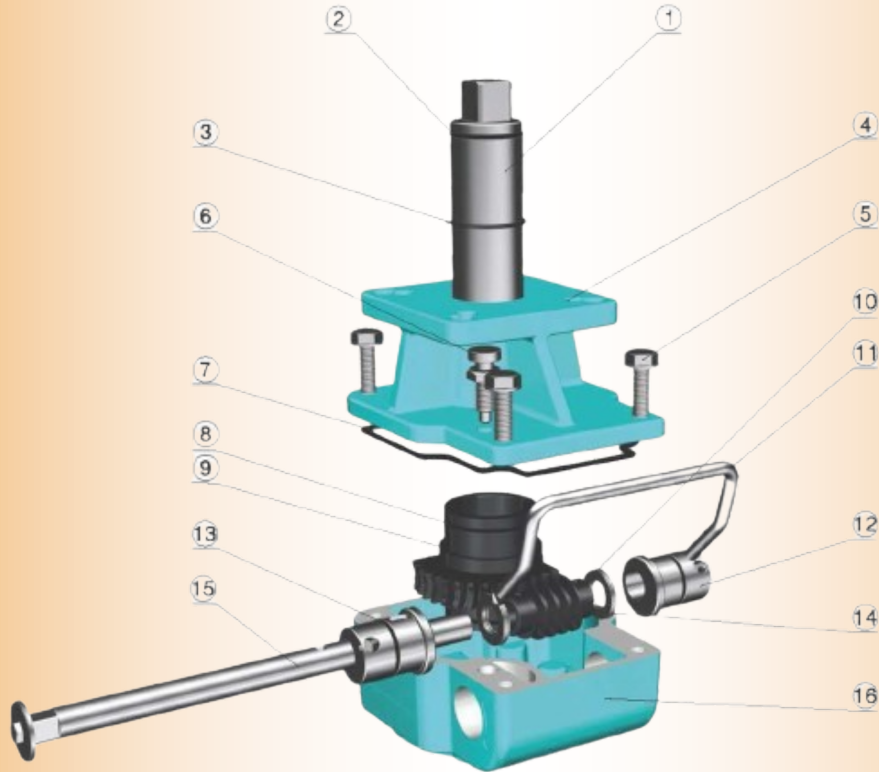
The Weir Concepts Declutchable Wormgear manual mechanism is combined with the Weir Concepts Pneumatic Actuator assembly for butterfly valves, ball valves, etc., which are opened at 90° degrees.

CHARACTERISTICS

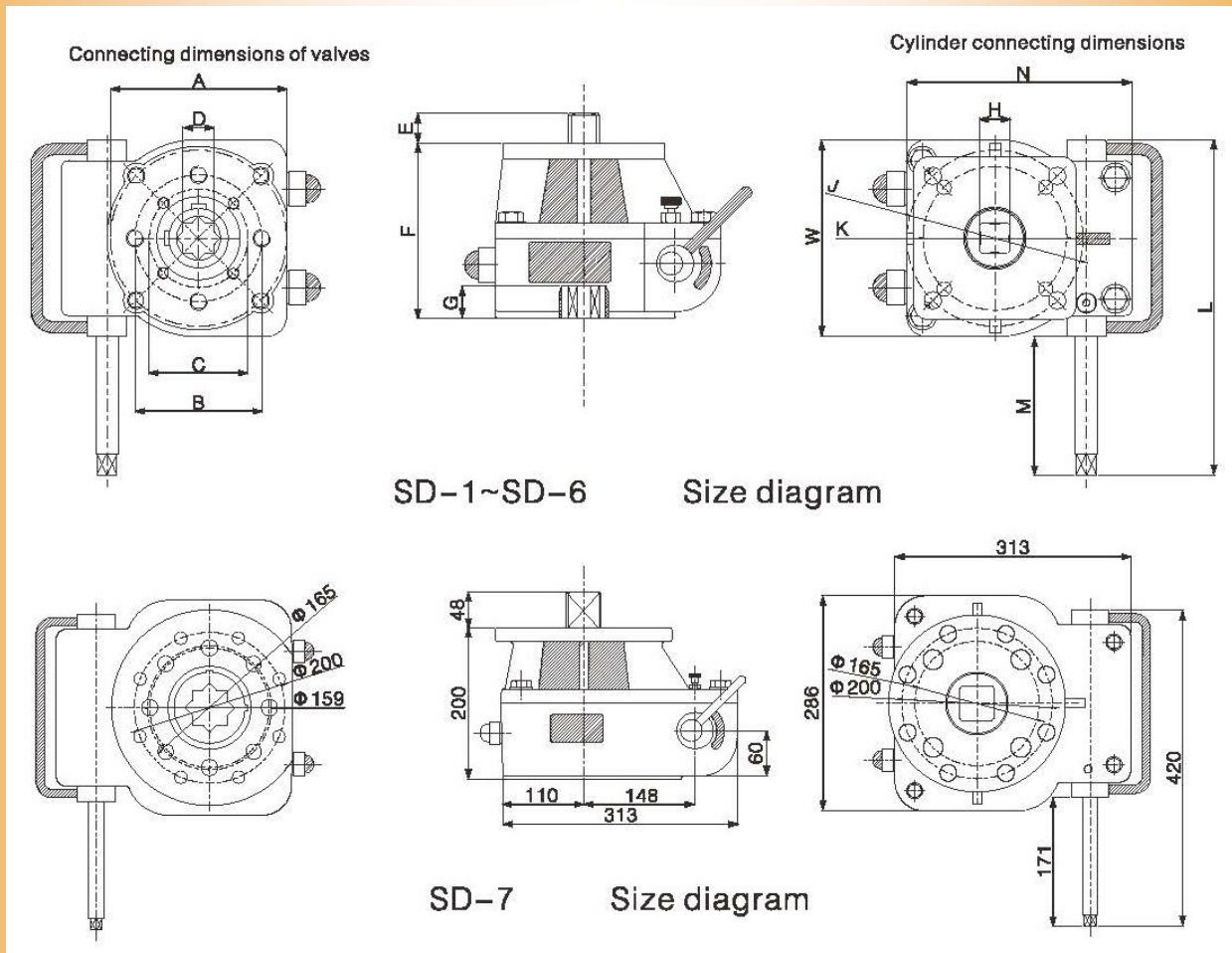
1. Small in size, light weight with a functional design.
2. Products are serialized with output torque to match pneumatic devices.
3. Turbine connection holes have two keyways 90° degrees apart allowing users to choose the relative position of the device to suit their needs according to the valve
4. Equipped with special grease, allowing the seals to be:
 - > Dust proof
 - > Waterproof
 - > Protection grade IP67



Model Number	Actuator Range	Ratio	Output
WCSD-1	WC 63-75	26	1,584" lbs
WCSD-2	WC 83-92	28	2,816"lbs
WCSD-3	WC105-125	38	5,984"lbs
WCSD-4	WC140-160	54	10,560"lbs
WCSD-5	WC190-210	80	18,480"lbs
WCSD-6	WC240-270	78	26,400"lbs
WCSD-7	WC270-350	98	33,440"lbs



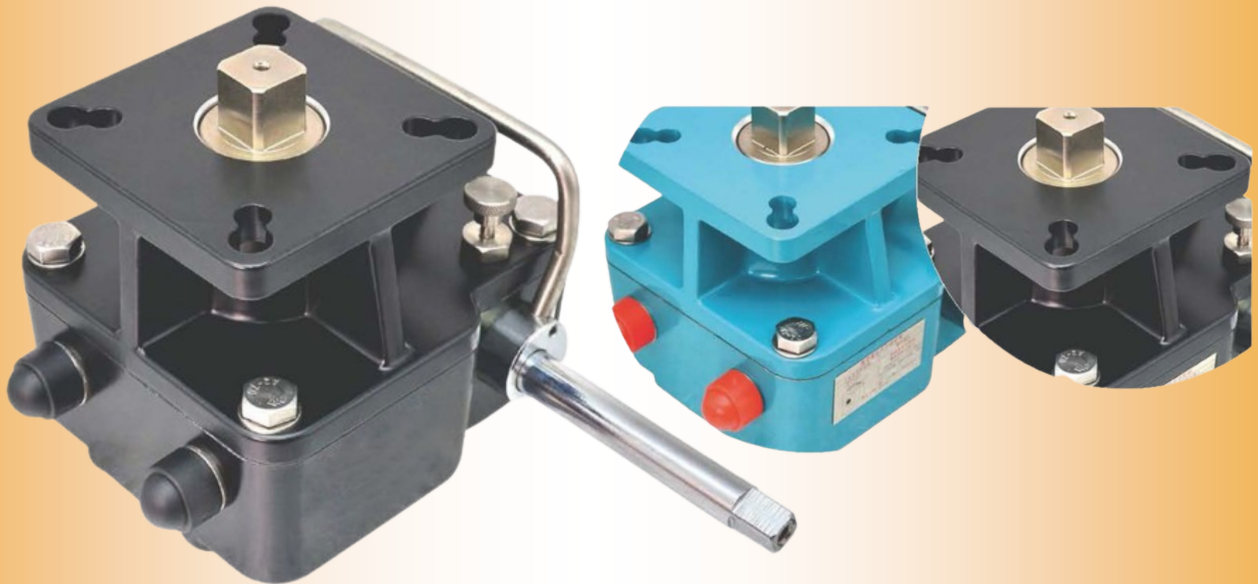
No.	Name	Material	No.	Name	Material
1	Drive spindle	Alloy steel	9	Worm gear	Spheroidal Cast
2	Seal ring	Nitrile	10	Bearing	Alloy Steel
3	Reed spring	304 SST	11	Handle	304 SST
4	Upper cover	Aluminum	12	Eccentric sleeve	Alloy Steel
5	Fastener	Alloy steel	13	Seal Ring	Nitrile
6	Position pin	Nitrile	14	Segment Gear	Alloy Steel
7	Seal ring	Nitrile	15	Transmission rod	Alloy Steel
8	Seat ring	Nitrile	16	Box	Aluminium



Dimensions (mm / in)							
Model	WCSD-01	WCSD-02	WCSD-03	WCSD-04	WCSD-05	WCSD-06	WCSD-07
A	F07	F10	F12	F14	F16	F16	F16
B	57 / 2.24	70 / 2.76	89 / 3.50	108 / 4.25	108 / 4.25	159 / 6.25	159 / 6.25
C	F05	F07	F07/10	F10/12	F14	F14	200 / 7.87
D	14 / 0.55	17 / 0.67	22 / 0.87	27 / 1.06	36 / 1.41	46 / 1.81	46 / 1.81
E	15 / 0.59	19 / 0.75	22 / 0.87	28 / 1.10	38 / 1.50	48 / 1.89	48 / 1.89
F	105 / 4.13	110 / 4.33	130 / 5.12	165 / 6.50	185 / 7.28	200 / 7.87	200 / 7.87
G	20 / 0.79	22 / 0.87	28 / 1.10	32 / 1.26	40 / 1.57	50 / 1.97	50 / 1.97
H	14 / 0.55	17 / 0.67	22 / 0.87	27 / 1.06	36 / 1.41	46 / 1.81	46 / 1.81
N	115 / 4.53	135 / 5.31	160 / 6.30	200 / 7.87	244 / 9.61	282 / 11.10	313 / 12.32
W	89.5 / 3.52	125 / 4.92	136 / 5.35	187.5 / 7.38	220 / 8.66	251 / 9.88	286 / 11.26
J	F07	F10	F12	F14	F16	F16	F16
K	F05	F07	F10	F10/12	F14	N/A	F16
L	180 / 7.09	220 / 8.66	257 / 10.12	330 / 12.99	370 / 14.57	400 / 15.75	420 / 16.53
M	71 / 2.80	92.3 / 3.63	113 / 4.45	147.8 / 5.82	148 / 5.83	158 / 6.22	171 / 6.73
Handwheel	180 / 7.09	200 / 7.87	280 / 11.02	320 / 12.60	400 / 15.75	500 / 19.69	600 / 23.62
Weight (KG/	3 / 6.6	4.5 / 9.9	7 / 15.4	13.7 / 30	22 / 48.4	30 / 66	38 / 83.6

PRODUCT GUIDE

WEIR CONCEPTS WC DECLUTCHABLE WORMGEAR



SOLUTIONS FOR YOUR COMPANY NEEDS

- HELP DESK -

FOR YOUR SUPPORT AND SERVICE

24 hours a day, 7 days a week

NO CHARGE ON CALLS SERVICE

We offer technical assistance, product knowledge, and reliable trouble shooting

Brochures/Maintenance info available online www.weirconcepts.com

HELP DESK EXPERTISE PROVIDED AT WEIR CONCEPTS

7596 Wagner RD NW

Edmonton, Alberta

CANADA, T6E 5B2

780.462.1910 ph

780.462.1959 fax

info@weirconcepts.com

www.weirconcepts.com

Version 3.0

