

WEIR CONCEPTS INC.

PRODUCT GUIDE

- WCMR₂L ROTARY TO LINEAR CONVERTER -



EXPECT QUALITY AND RELIABILITY

using our brand name WCMR₂L ROTARY TO LINEAR CONVERTER

~ WARRANTY AND EXCHANGE PROGRAM ~

🍁 Manufactured at Weir Concepts Inc. 🍁



7596 Wagner RD NW

Edmonton , Alberta

CANADA T6E 5B2

780.462.1910 ph

780.462.1959 fax

info@weirconcepts.com

www.weirconcepts.com

MADE IN ALBERTA, CANADA PRODUCTS

Manufactured and assembled at our Edmonton based facility

DETAILS ARE THE DIFFERENCE BETWEEN ORDINARY AND EXCELLENCE

**PROUDLY MANUFACTURED
AT OUR EDMONTON
BASED FACILITY**



APPLICATIONS

- Pressure Control
- Dump Valve
- Safety Shutdown
- Flow Control

COMPATIBLE WITH:

- Weir Concepts Actuator(s)
- Weir Concepts Gear OP



Weir Concepts WCMR2L CONVERTER enables linear dump valves to be controlled by quarter turn electric actuators, commonly used in the industry. This solution is tough, straightforward, and works well for managing things in an automated production site.

FEATURES - design construction

- Compatible with any (common) quarter turn electric actuator.
- Easily adapted to any size valve or actuator using our Weir Concepts mounting plate.
- Designed to retrofit existing valves.
- Over travel loaded ensures tight closure throughout the life of the valve as the seat wears.
- Low backlash ensures tight control.
- Sealed roller bearings provide smooth operation.
- Weather tight assembly.
- Highly efficient transfer of energy - higher than lead screw or ball screw.

- MAINTENANCE FREE -

Weir Concepts offers technical consulting and provides a total end to end solution.

ABOUT MATERIALS

- Durable, steel drive cases are standard—ideal for low temperature.
- Stress relieved 4130 steel stem carrier.
- LTN seals are standard; special low temperature or fluoroelastomer seals are also available.
- Bronze bearings and slides.

QUALITY AND PERFORMANCE TESTED



**The Weir Concepts
WCMR2L is durable, effective,
and emission free**

The new WC product provides everything required for automated production control and is easily adapted to a valve or actuator. This package includes:

- An easy to install and reliable zero emission actuator that requires no ongoing maintenance. Utilizing an internal heater and battery backup, the bear actuator is designed to supply years of trouble free actuation
- WCRM2L Converter provides precise automated valve control.
- WCMR2L works with your choice of any linear, dump or control valve.
- Other connections available.

WEIR CONCEPTS WCMR2L CONVERTER

The WCMR2L Converter converts rotary motion into linear motion. As an extra feature, this product is designed with a series of springs with a live loaded stem in order to compensate for seat wear. The WCMR2L allows any ISO-5211 rotary actuator to be coupled with any valve.

SPECIFICATIONS

| | |
|-------------------|----------------|
| ISO-5211 SIZE | 1" FO5, 2" FO7 |
| ROTARY SHAFT | 14MM SQUARE |
| SIZE | 1" & 2" |
| INPUT TORQUE | 600" LB MAX |
| OUTPUT THRUST | 1200 LBF MAX |
| TEMPERATURE RANGE | -40° to 450°F |

CUSTOM DESIGN AND MANUFACTURING AVAILABLE

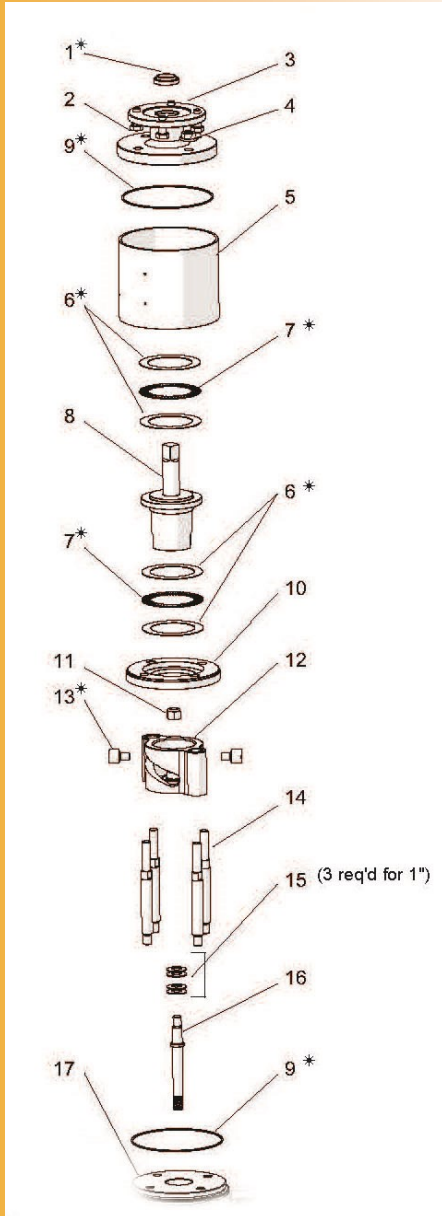


WCMR2L-1



WCMR2L-2

NOTE: Heat may be applied to remove the old cam (Item 13) from the assembly



WCMR2L-1-extension # same as #2

WCMR2L-2 -extension # same as #1

| Item | Product # | Description | Qty. |
|------|-------------|----------------------|------|
| 1 | WCMR2L-1-01 | Shaft Seal* | 1 |
| 2 | WCMR2L-1-02 | Bolts | 4 |
| 3 | WCMR2L-1-03 | Flange Adapter | 1 |
| 4 | WCMR2L-1-04 | Lock Nuts | 4 |
| 5 | WCMR2L-1-05 | Cover | 1 |
| 6 | WCMR2L-1-06 | Trust Bearing Races* | 4 |
| 7 | WCMR2L-1-07 | Thrust Bearings* | 2 |
| 8 | WCMR2L-1-08 | Rotary Shaft | 1 |
| 9 | WCMR2L-1-09 | O-Ring* | 2 |
| 10 | WCMR2L-1-10 | Bearing Support | 1 |
| 11 | WCMR2L-1-11 | Locknut | 1 |
| 12 | WCMR2L-1-12 | Stem Carrier | 1 |
| 13 | WCMR2L-1-13 | Cam Bearings* | 2 |
| 14 | WCMR2L-1-14 | Guide Rods | 4 |
| 15 | WCMR2L-1-15 | Disc Springs | 4 |
| 16 | WCMR2L-1-16 | Stem | 1 |
| 17 | WCMR2L-1-17 | Mounting Base | 1 |

*** Recommended spare parts and stocking as repair kits.**

PRODUCT GUIDE

WCMR2L ROTARY TO LINEAR CONVERTER

WCMR2L-1



WCMR2L-2



SOLUTIONS FOR YOUR COMPANY NEEDS

- HELP DESK -

FOR YOUR SUPPORT AND SERVICE

24 hours a day, 7 days a week

NO CHARGE ON CALLS SERVICE

We offer technical assistance, product knowledge, and reliable trouble shooting

Brochures/Maintenance info available online www.weirconcepts.com

HELP DESK EXPERTISE PROVIDED AT WEIR CONCEPTS

7596 Wagner RD NW

Edmonton, Alberta

CANADA, T6E 5B2

780.462.1910 ph

780.462.1959 fax

info@weirconcepts.com

www.weirconcepts.com

Version 3.0

