

WEIR CONCEPTS INC.

PRODUCT GUIDE

- WCM₂₄VEP ELECTRO HYDRAULIC OPERATOR -



EXPECT QUALITY AND RELIABILITY

using our brand name WCM₂₄VEP ELECTRO HYDRAULIC OPERATOR

🍁 Manufactured at Weir Concepts Inc. 🍁



7596 Wagner RD NW

Edmonton , Alberta

CANADA T6E 5B2

780.462.1910 ph

780.462.1959 fax

info@weirconcepts.com

www.weirconcepts.com

MADE IN ALBERTA, CANADA PRODUCTS

Manufactured and assembled at our Edmonton based facility

DETAILS ARE THE DIFFERENCE BETWEEN ORDINARY AND EXCELLENCE

**PROUDLY MANUFACTURED
AT OUR EDMONTON
BASED FACILITY**



OPERATION

24 VDC 1500psi pump

Pipeline Pressure Switch (CCS) when satisfied pump will turn on and pump until limit switch is satisfied.

If there is leak down or temperature swings pump will turn back on to maintain ESD open.

If pipeline pressure is outside of set points pump can be started locally and momentarily switch needs to be held until pressure set points are met (safety).

There is a local ESD button on the panel and can be modified to work on any Hydraulic ESD that can take 1500 + psi.

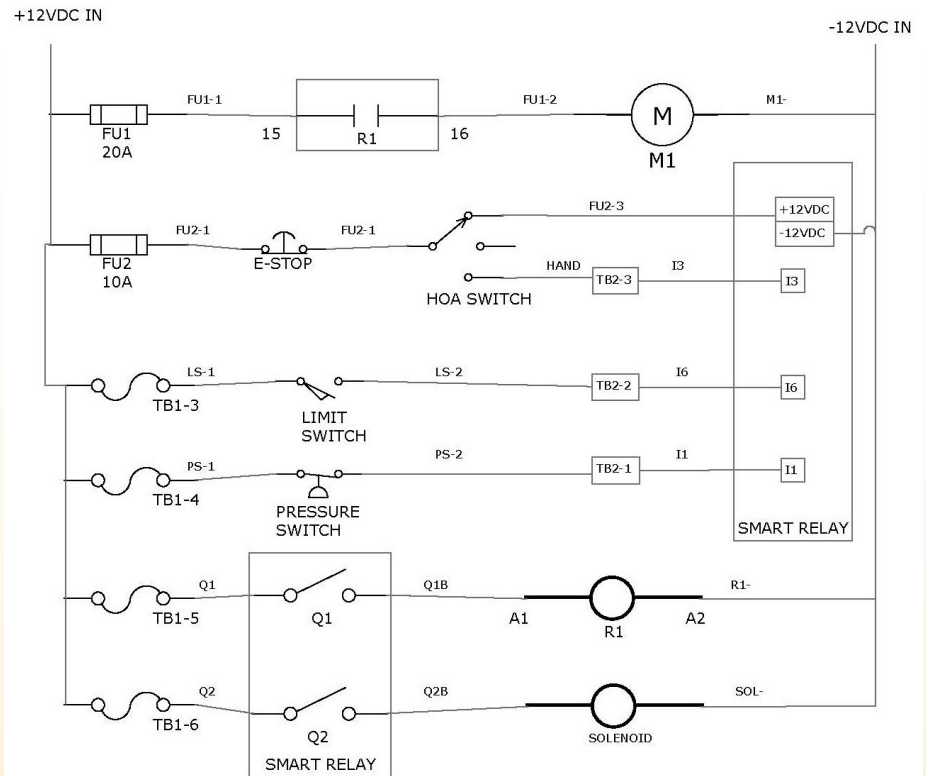
Power loss, line set points and Remote ESD – to shut down.

INSTALLATION

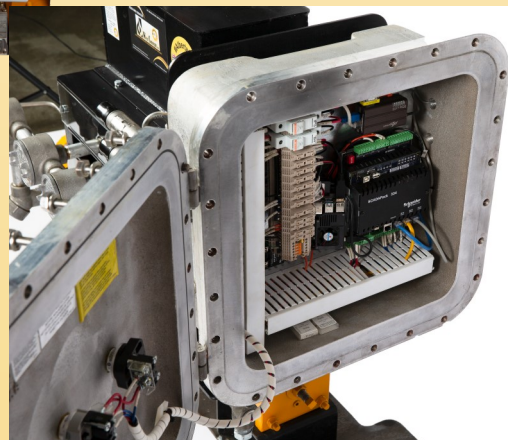
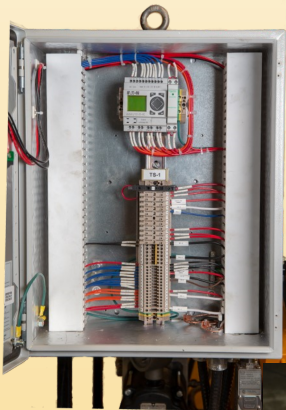
The WCM24VEP is designed for remote sites.

Low 1.4W continuous draw makes the system suitable for solar site applications.

The system is scalable utilizing any of our WCM High Pressure Hydraulic Actuators such as the WCM35 and WCYSF series actuators.



Weir Concepts offers technical consulting and provides a total end to end solution.



PRODUCT GUIDE

WCM24VEP ELECTRO HYDRAULIC OPERATOR



- HELP DESK - SOLUTIONS FOR YOUR COMPANY NEEDS

FOR YOUR SUPPORT AND SERVICE

24 hours a day, 7 days a week

NO CHARGE ON CALLS SERVICE

We offer technical assistance, product knowledge, and reliable trouble shooting

Brochures/Maintenance info available online www.weirconcepts.com

HELP DESK EXPERTISE PROVIDED AT WEIR CONCEPTS

7596 Wagner RD NW

Edmonton, Alberta

CANADA, T6E 5B2

780.462.1910 ph

780.462.1959 fax

info@weirconcepts.com

www.weirconcepts.com

Version 3.0

