

# WEIR CONCEPTS INC.

## PRODUCT GUIDE

- WC SPEED CONTROLS - Flow Control Valve -



**EXPECT QUALITY AND RELIABILITY**

using our brand name **SPEED CONTROLS - Flow Control Valve**



7596 Wagner RD NW

Edmonton , Alberta

CANADA T6E 5B2

780.462.1910 ph

780.462.1959 fax

info@weirconcepts.com

www.weirconcepts.com

**MADE IN ALBERTA, CANADA PRODUCTS**

Manufactured and assembled at our Edmonton based facility

**DETAILS ARE THE DIFFERENCE BETWEEN ORDINARY AND EXCELLENCE**

## Speed Control - Flow Control Valve

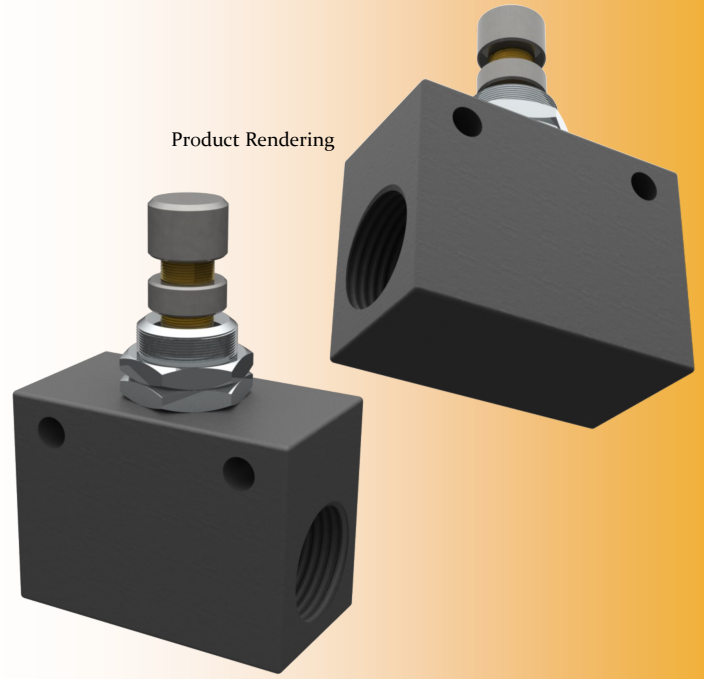
Housing constructed from aluminum alloy with a clean, light-weight surface.

Available in bi-directional OR single directional.

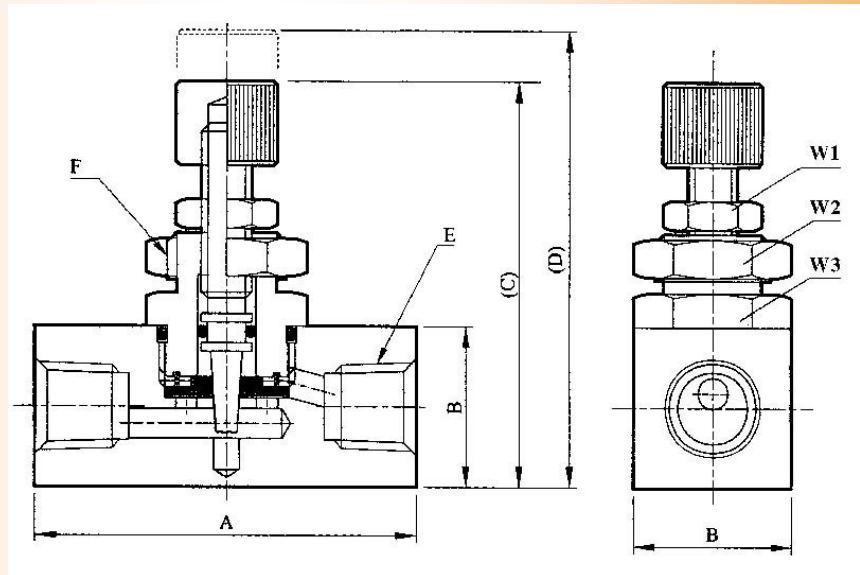
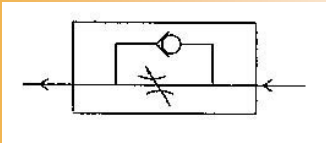
## Application

Flow control valve used to control speed of opening and closing on pneumatic actuators.

Product Rendering



Symbol

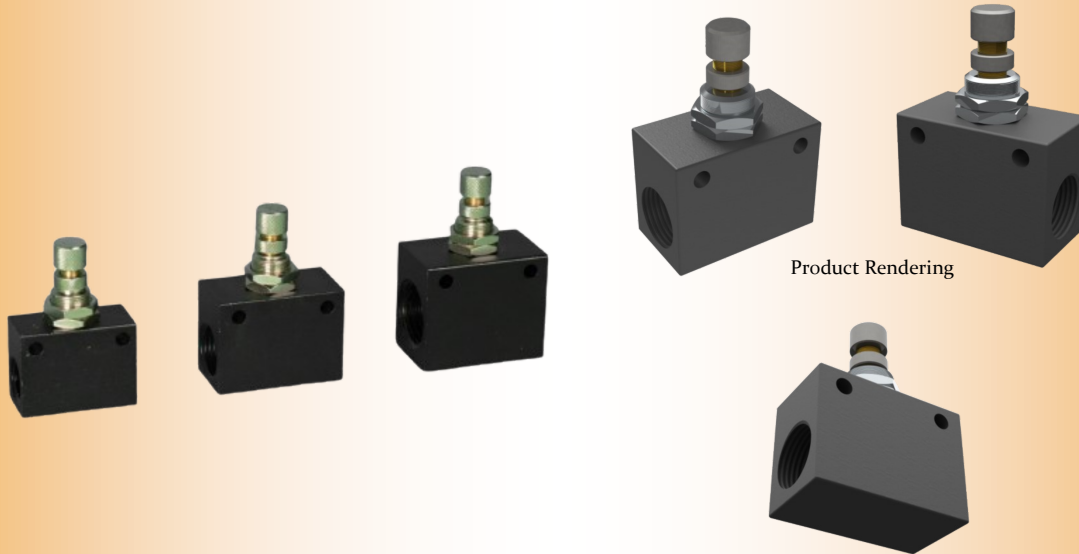


## RE FLOW RATE CONTROL DIMENSIONS (INCHES)

| (Type) |     | A    | B    | C    | D    | E   | F     | W1   | W2   | W3   |
|--------|-----|------|------|------|------|-----|-------|------|------|------|
| RE-01  | 6A  | 1.77 | 0.75 | 1.81 | 2.09 | 1/8 | M14x1 | 0.43 | 0.67 | 0.67 |
| RE-02  | 8A  | 1.77 | 0.75 | 1.81 | 2.09 | 1/4 | M14x1 | 0.43 | 0.67 | 0.67 |
| RE-03  | 10A | 2.17 | 0.98 | 2.05 | 2.32 | 3/8 | M18x1 | 0.43 | 0.67 | 0.91 |
| RE-04  | 15A | 2.17 | 0.98 | 2.05 | 2.32 | 1/2 | M18x1 | 0.43 | 0.67 | 0.91 |

# PRODUCT GUIDE

## WEIR CONCEPTS WC SPEED CONTROLS - Flow Control Valve



## SOLUTIONS FOR YOUR COMPANY NEEDS

### - HELP DESK -

FOR YOUR SUPPORT AND SERVICE

**24 hours a day, 7 days a week**

**NO CHARGE ON CALLS SERVICE**

We offer technical assistance, product knowledge, and reliable trouble shooting

Brochures/Maintenance info available online [www.weirconcepts.com](http://www.weirconcepts.com)

**HELP DESK EXPERTISE PROVIDED AT WEIR CONCEPTS**

7596 Wagner RD NW  
Edmonton , Alberta  
CANADA T6E 5B2

780.462.1910 ph

780.462.1959 fax

[info@weirconcepts.com](mailto:info@weirconcepts.com)

[www.weirconcepts.com](http://www.weirconcepts.com)

Version 3.0

