

WEIR CONCEPTS INC.

PRODUCT GUIDE

- WC DGAB GEAR OPERATOR SERIES -



EXPECT QUALITY AND RELIABILITY

using our brand name WC DGAB GEAR OPERATOR SERIES



7596 Wagner RD NW

Edmonton , Alberta

CANADA T6E 5B2

780.462.1910 ph

780.462.1959 fax

info@weirconcepts.com

www.weirconcepts.com

MADE IN ALBERTA, CANADA PRODUCTS

Manufactured and assembled at our Edmonton based facility

DETAILS ARE THE DIFFERENCE BETWEEN ORDINARY AND EXCELLENCE



GEAR OPERATOR FEATURES

Suitable for connections to Butterfly valve, Ball valve, and Plug valve.

SOLID AND CLEAN DESIGN

Weatherproof housing, manufactured from high strength WCB steel protects and isolates internal operating parts from dirt and water. Larger units utilize oil seals at bottom of gear hub.

DESIGNED TO FIT 90° ROTATION

Butterfly, plug or ball valves, and other equipment such as dampers. Outputs up to 50,000 inch pounds of torque.

DURABLE

Comes standard with ductile iron worm segments. Optional Aluminum Bronze worm segments also available.

ADJUSTABLE

Screws allow a $\pm 5^\circ$ range at end of travel.

EASY MOUNTING

Customers can specify location, size, and number of tapped mounting holes as well as bore and keyway dimensions. For specific applications, adaptor plates or flanged base operators may be employed

Weir Concepts at work for you

WC DGAB SERIES PARTS ORDERING

Please specify the following:

- Model number of valve to connect to
- Required torque
- Mounting hole pattern and thread size (optional)
- Input shaft roll pin hole or keyway size (optional)

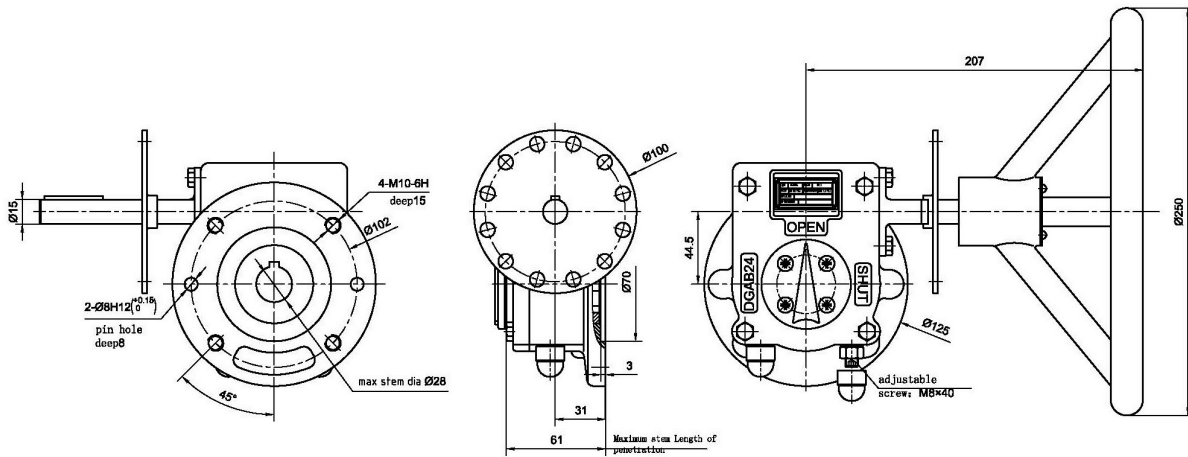
CUSTOM HARDWARE AVAILABLE TO MOUNT TO ANY APPLICATION
WELDED STEEL HANDWHEELS AVAILABLE
IN SIZE RANGES FROM 10" TO 30"

MATERIAL TABLE		
Description	Qty.	Material
1. Housing	1	ASTM 216WCB
2. Cover	2	ASTM 216WCB
3. Worm	1	ASTM 216WCB
4. Bearing Seat	2	ASTM A29 1045
5. Handwheel	1	45
6. Cover	1	HT200
7. Worm Gear	1	QT450
8. Segment	1	Q235

WEIGHT LIST	
Description	Material
WC-DGAB24-F10	10 LBS.
WC-DGAB36-F12	16 LBS.
WC-DGAB41-F14	25 LBS.
WC-DGAB68-F16	53 LBS.
WC-DGAB178-F16	76 LBS.

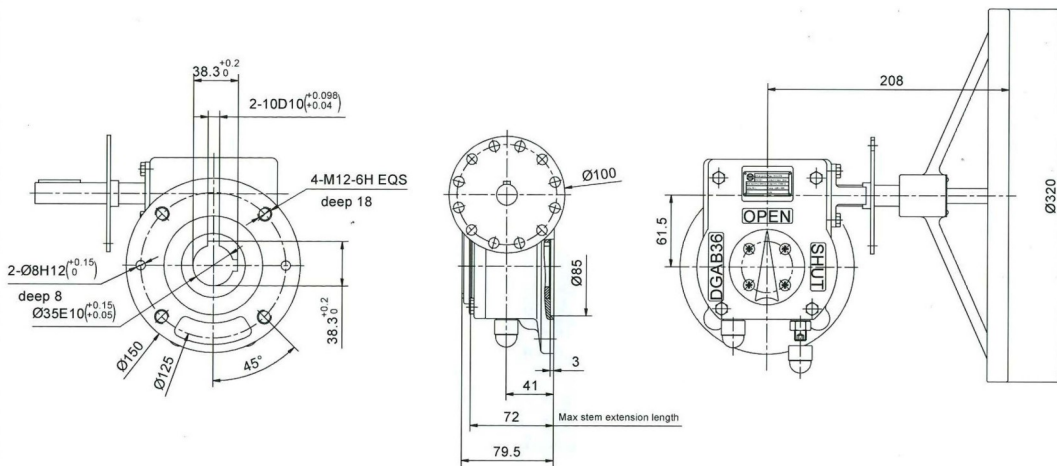


MODEL INFORMATION		
Model	Gear Ratio	Torque IN-LBS.
WC DGAB24	24-1	3540
WC DGAB36	36-1	6637.5
WC DGAB41	41-1	11505
WCDGAB68	68-1	26550
WCDGAB178	178-1	60180



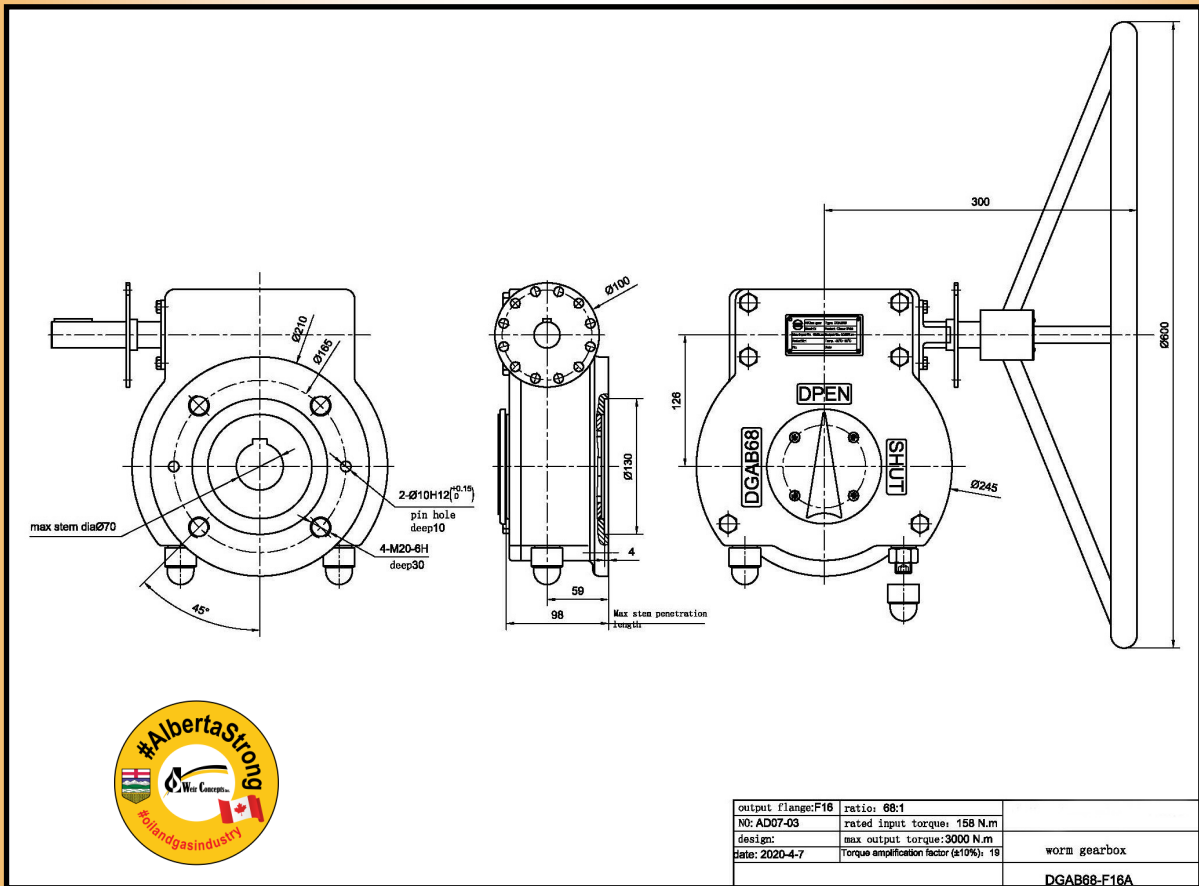
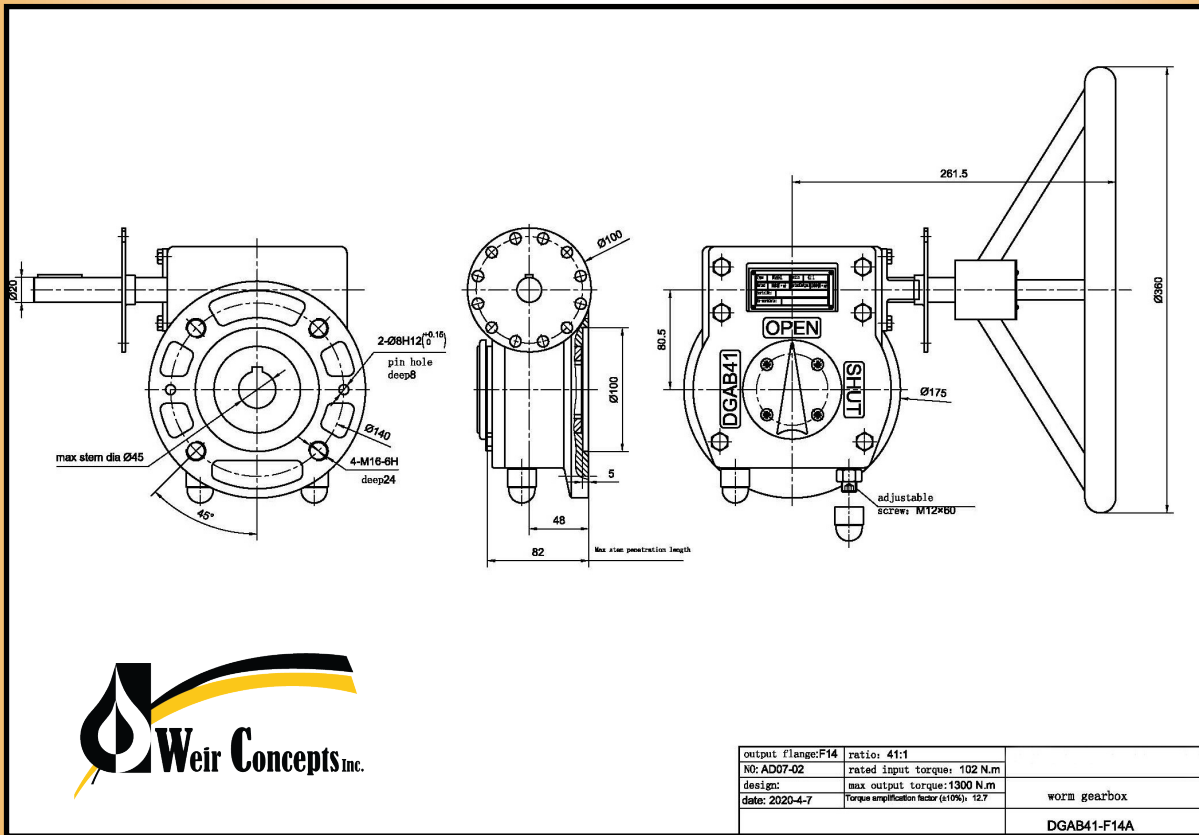
output flange:F10	ratio: 24:1	
No: AD07-01	rated input torque: 56 N.m	
design:	max output torque:400 N.m	
date: 2020-4-7	torque amplification factor (±10%): 7.2	worm gearbox
		DGAB24-F10A

Part Number: WC-DGAB36



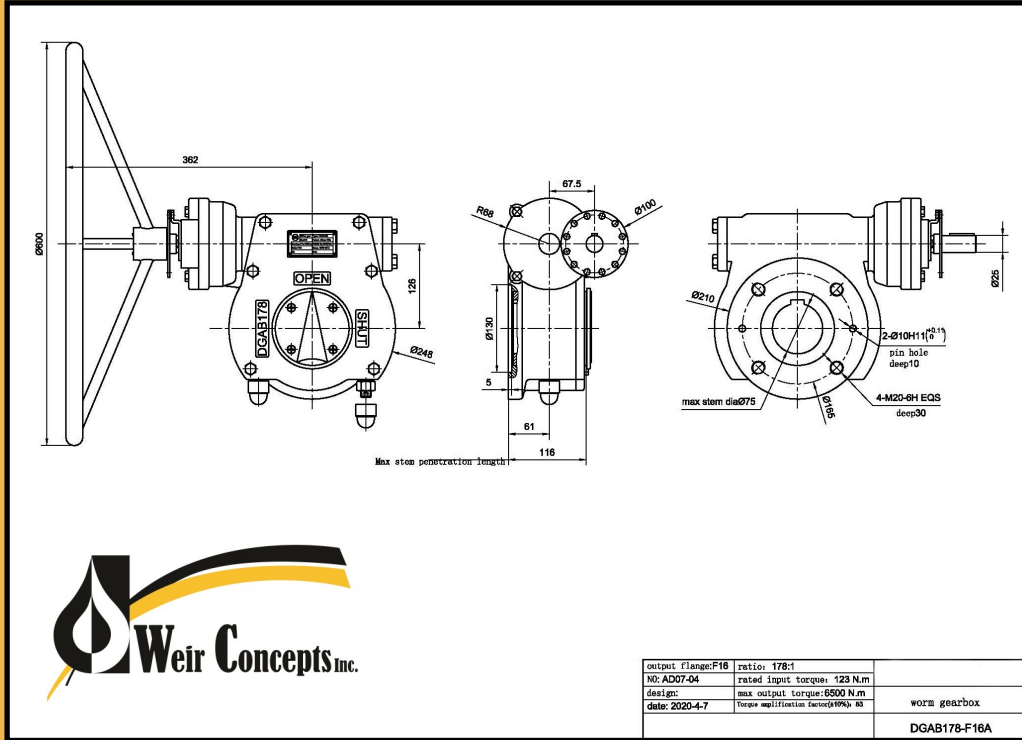
Output Flange:F12	Transmission Ratio	36:1
NO: AC12-01	Max Input Torque	68 N.m
Designer:	Output Torque	750 N.m
Date: 12/3-2020	Mechanical Adv. (±10%)	11





PRODUCT GUIDE

WEIR CONCEPTS WC DGAB GEAR OPERATOR SERIES



- HELP DESK -

FOR YOUR SUPPORT AND SERVICE

24 hours a day, 7 days a week

NO CHARGE ON CALLS SERVICE

We offer technical assistance, product knowledge, and reliable trouble shooting

Brochures/Maintenance info available online www.weirconcepts.com

HELP DESK EXPERTISE PROVIDED AT WEIR CONCEPTS

SOLUTIONS FOR YOUR COMPANY NEEDS

7596 Wagner RD NW
Edmonton, Alberta
CANADA, T6E 5B2

780.462.1910 ph.

780.462.1959 fax

info@weirconcepts.com

www.weirconcepts.com

Version 3.0

